



Standard Guide for Installation of Flexible Closed Cell Preformed Insulation in Tube and Sheet Form¹

This standard is issued under the fixed designation C1710; the number immediately following the designation indicates the year of original adoption or, in the case of revision, the year of last revision. A number in parentheses indicates the year of last reapproval. A superscript epsilon (ϵ) indicates an editorial change since the last revision or reapproval.

1. Scope

1.1 This guide covers recommended installation techniques for flexible closed cell pre-formed insulation in tube or sheet form. This guide is applicable to materials manufactured in accordance with Specification C534 (Elastomeric based insulation) or Specification C1427 (polyolefin based insulation). The materials covered in this guide encompass a service temperature of -297°F to 300°F (-183°C to 150 °C) as indicated in the material specifications referenced above. Many of the recommendations made are specific to below ambient applications only.

1.2 The purpose of this guide is to optimize the thermal performance and longevity of installed closed cell flexible insulation systems. By following this guide, the owner, and designer can expect to achieve the energy savings expected and prevention of condensation under the specified design conditions. This document is limited to installation procedures and does not encompass system design.

1.3 The values stated in inch-pound units are to be regarded as standard. The values given in parentheses are mathematical conversions to SI units that are provided for information only and are not considered standard.

1.4 *This standard does not purport to address all of the safety concerns, if any, associated with its use. It is the responsibility of the user of this standard to establish appropriate safety and health practices and determine the applicability of regulatory limitations prior to use.*

2. Referenced Documents

2.1 ASTM Standards:²

C168 Terminology Relating to Thermal Insulation

C534 Specification for Preformed Flexible Elastomeric Cellular Thermal Insulation in Sheet and Tubular Form

¹ This practice is under the jurisdiction of ASTM Committee C16 on Thermal Insulation and is the direct responsibility of Subcommittee C16.40 on Insulation Systems.

Current edition approved Nov. 1, 2009. Published November 2009. DOI:10.1520/C1710-09.

² For referenced ASTM standards, visit the ASTM website, www.astm.org, or contact ASTM Customer Service at service@astm.org. For *Annual Book of ASTM Standards* volume information, refer to the standard's Document Summary page on the ASTM website.

C585 Practice for Inner and Outer Diameters of Thermal Insulation for Nominal Sizes of Pipe and Tubing

C1427 Specification for Extruded Preformed Flexible Cellular Polyolefin Thermal Insulation in Sheet and Tubular Form

2.2 Other Standards:

National Commercial, Industrial Insulation Standards (MICA Manual) ³

ASHRAE Handbook (Fundamentals – Chapter 26) ⁴

ASHRAE Handbook (Refrigeration – Chapter 33) ⁴

3. Terminology

3.1 Definitions:

C168 shall be considered as applying to the terms in this specification.

3.2 Definitions of Terms Specific to This Standard:

3.2.1 *seams*—Longitudinal or horizontal cross-sections where insulation meets and must be adhered to itself or other system components.

3.2.2 *butt joints*—Cross-sections where two pieces of tubular or sheet insulation must be adhered to itself or other system components.

3.2.3 *vapor (water) stops*—Locations / methods to prevent water or water vapor from traveling into or down a tubular pipe section.

3.2.4 *sleeving/multi layering*—Applying another layer of insulation over the first layer. This process is used when the insulation thickness required is greater than that which is commercially available. This technique is also employed when proper installation practice requires multiple layers and or staggered joint application, even if a single layer thickness is available.

4. Summary of Guide

4.1 Proper insulation thickness shall be installed as specified and not compromised. The integrity of the insulation system

³ Available from MICA (Midwest Insulation Contractors Association) 16712 Elm Circle, Omaha, NE 68130. <http://www.micainsulation.org>.

⁴ Available from American Society of Heating, Refrigerating, and Air-Conditioning Engineers, Inc. (ASHRAE), 1791 Tullie Circle, NE, Atlanta, GA 30329, <http://www.ashrae.org>.

shall be maintained throughout the application. Never pull or stretch insulation, always push or over-size insulation.

4.2 All seams, butt joints, cutouts and termination points shall be sealed with a manufacturer's approved adhesive to prevent air/moisture intrusion. For below ambient applications, install vapor stops at all insulation terminations or interruptions, such as at supports, valves and flanges by adhering the insulation directly to the pipe using a 2 in. (50 mm) strip of contact adhesive or sealant to maintain closure. Insulation tape can also be used for this purpose. On straight runs, install vapor stops every 18 ft (5.4 m) to minimize moisture problems if they occur.

4.3 Specific product Manufacturer's recommended installation practices shall be used in all cases.

4.4 Product should be applied to clean, dry surfaces. If the system is operating, additional steps may be needed to insure a proper installation.

4.5 A coating, jacket, cladding or appropriate protection shall be used where mechanical abuse or damage is expected. Outdoor applications may require special consideration – refer to the manufacturer's recommendations.

4.6 For satisfactory performance, properly installed protective vapor retarders/barriers and vapor stops must be used on high relative humidity and below ambient temperature applications to reduce movement of moisture through or around the insulation to the colder interior surface.

5. Significance and Use

5.1 This guide applies to flexible closed cell insulation tubing and sheet materials manufactured according to Specification C534 and Specification C1427. This standard is intended to provide a basic guide for installing these types of materials.

5.2 Confirm application use temperature is consistent with specified use temperature for material as defined in ASTM Specifications unless otherwise agreed upon with the manufacturer. There are different grades for each of the insulation types referred to in this guide, material and grade installed should be that specified.

5.3 This guide is not intended to cover all aspects associated with installation for all applications, consult the National, Commercial Industrial Insulation Standards (MICA Manual) or the specific product manufacturer for recommendations, or both. (See ASHRAE Handbook (Fundamentals – Chapter 26) and ASHRAE Handbook (Refrigeration – Chapter 33))

6. Workmanship, Finish and Appearance

6.1 The insulation shall have no visible defects that will adversely affect its performance or appearance. Materials shall be kept clean and dry until used. Use good quality tools at all times. Ensure cleanliness of insulation products, pipe work, vessels, fittings and tools. Avoid dust, dirt, oil or water on surfaces and equipment. It is recommended to apply insulation to a system which is not in operation. If insulation must be applied to a system that is operating, special precautions must be taken to prevent condensation from being trapped in the insulation envelope. Never stretch insulation to fit. Specified dimensions for the inner diameter (ID) and wall thickness shall be adhered to.

7. Dimensional Tolerances

7.1 Dimensions for the ID, wall and length shall conform to tolerances published by the manufacturer and or applicable ASTM standards, for example Specifications C534, C1427 and Practice C585.

8. General Installation Recommendations

8.1 All seams, butt joints, cut outs and termination points should be sealed with a manufacturer's approved system. External taping of seams is not recommended as an exclusive method of sealing joints or seams for below ambient systems. Approved adhesives can be: contact adhesives, spray adhesives or pressure sensitive adhesives. Water based adhesives are not recommended because of their slow drying time which causes them to pull apart. Adhesives should be applied according to manufacturer's recommendations. A thinner layer of adhesive is best, with 100% coverage on both surfaces. Always keep adhesives stirred thoroughly. Allow solvents to dissipate before combining two surfaces. This will be determined by time, temperature and adhesive type. Ensure all seams are aligned, tight, and are completely sealed.

8.2 The specified insulation thickness should be maintained throughout the installation. When using unslit tubular insulation on pipe work being installed, the insulation should be slid/pushed on the pipe, never pulled as this will stretch and thin the insulation. The insulation is not to be stretched to fit. All insulation should be installed under slight compression to ensure a snug fit. Accommodations need to be made to prevent the insulation from being compressed by weight; that is, pipe hangers. For applications where the pipe work is already installed, the insulation must be slit and adhesive applied or pre-slit/pre-glued insulation used.

8.3 Install insulation on systems that are dry, at room temperature and already pressure tested.

8.4 Use miter boxes or templates for making accurate cuts. See Fig. 1. Keep to correct dimensions. Do not cut the insulation short and stretch it to fit the space.

8.5 Slide insulation on straight piping runs whenever possible to reduce seams. If insulation must be slit to apply to piping, slit in a straight line. On large ID insulation where the material may be oval shaped, slit along the flat side (top or bottom) not along the edge for a better fitting seam. Refer to 8.2.

9. Hazards

9.1 Use good quality tools and keep working area and materials clean. Keep cutting tools sharp. Recommend non-serrated edged steel knife which can be sharpened.

9.2 Use appropriate protective equipment, that is. Safety glasses and safe practices when installing the material.

9.3 Provide suitable ventilation when working with solvent based adhesives.

10. Recommendations for Specific Installation Situations

10.1 *Straight Pipe Section – unjoined*—Slide insulation along the pipe work for straight runs. Seal all butt joints, cut outs and termination points. See Fig. 2.

10.1.1 Slit tube in a straight line (Fig. 3). Apply a thin brush coat of contact adhesive to each seam. Slip the insulation over

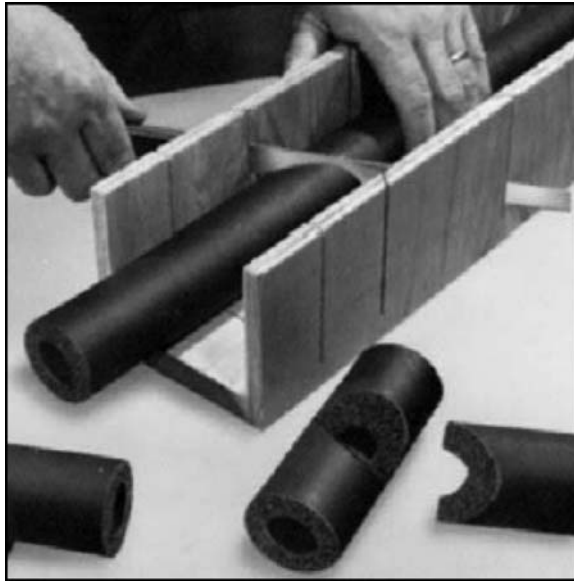


FIG. 1 USE Miter Box For Making Cuts

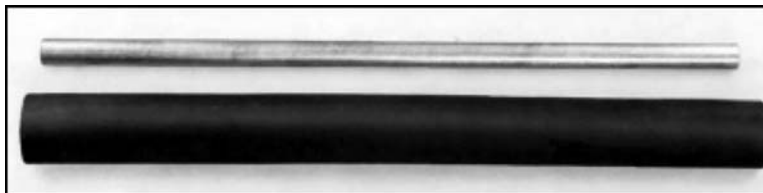


FIG. 2 Apply Adhesive to all Butt Joints Installed/Existing Pipe Work

the pipe. Allow adhesive to properly set and press seams together at each end – working toward the center. Seal all butt joints, cut outs and termination points with adhesive.

10.1.2 Use pre-slit/pre-glued insulation. (Insulation pre-slit with factory applied pressure sensitive adhesive (PSA)). See Fig. 4. Be sure application temperature and manufacturer's installation temperature recommendations are in accordance.

10.2 90° elbows:

10.2.1 Fabricate 90° elbows from straight tubing. Cut the insulation at 45° angle. Reverse the pieces by 180° to each other. See Fig. 5. Apply contact adhesive to both faces and press firmly together when properly set. Slit open the formed bend by cutting through the throat or heel of fitting. Apply brush coat of contact adhesive to both longitudinal seams of the fabricated fitting. Place over bend and press seams firmly together. See Fig. 6.

10.2.2 *Optional (but not optimal) Method*—Slide insulation around 90. The product should be pushed, not pulled around the 90. Although sliding the insulation around a 90 is a technique that is used in the field, it is not recommended as the insulation thickness will be compromised (thinned) and condensation may occur on the outside edge as a result.

10.3 *Tee and Valve*—Fabricate tee by cutting a V notch (45°; cut) from straight section. Cut end of adjoining piece at 45° angle to fit into notch of section above. Apply contact adhesive to all cut faces, when properly dried, press fit insulation sections firmly together. Slit open the completed fitting section, apply contact adhesive to all exposed insulation wall faces, place cover over tee when adhesive is properly set and apply pressure to bond the fitting insulation. See Fig. 7.

10.4 *Fittings*—There are several types of fittings: pipe fittings, screwed tee piece fittings (see Fig. 8)



FIG. 3 Apply Unslit Insulation to Straight Pipe

joined and sealed. Place insulation around pipe and firmly press seams together starting from the ends and working toward the center. Apply adhesive to butt ends and press adjoining straight insulation sections to fitting cover. On large pipe 12 in. (30 cm) or greater apply adhesive to the bottom 1/3 of pipe to adhere insulation to pipe to prevent any sagging of insulation. Sheet can also be used to fabricate large diameter elbows and other fittings.

10.6 *Brazed Fittings*—When brazing pipe joints or fittings, ease insulation back along the pipe by 12 in. (30 cm) on each side of joint and restrain with clamps. When the brazed joint has fully cooled, apply a brush coat of adhesive to butt ends, when properly set press joints together. See Fig. 11.

10.7 *Pipe Hangers and Other Pressure Points*—Pipe Hangers or pressure points create a situation where the insulation can be compressed. Various techniques can be used to alleviate the insulation from being compressed; Wooden dowels can be used to form a tripod (load bearing) to lift the pipe off the insulation. See Fig. 12. Hanger insulation supports also known as Saddles can be used to spread the weight of the pipe over a large area and to compensate for movement in the piping system but does not totally alleviate the issue of compressing the insulation (reducing the wall thickness) which may result in the formation of condensation.

10.8 *Tanks and Vessels*—Sheet or roll insulation can be used to insulate tanks and vessels. See Fig. 13. Draw up a work schedule of the sizes needed to complete the job. Calculate the most efficient lay out available from standard sheets or rolls of insulation. Always cut material oversize, allowing 1/4 in. (6.0 mm) extra to both length and width dimensions for press/compression fit. Contact adhesive or factory applied pressure sensitive adhesives (PSA) can be used to adhere the insulation to the surface. Follow manufacturer's recommendations for adhesives, especially in confined spaces and for determining any flammability concerns. Refer to Material Safety Data Sheet (MSDS) on products. In all cases the metal surface should be clean, dry and free of dirt or any loose particles. Press the insulation firmly to the surface to be adhered to so the adhesive is thoroughly wetted out. Be careful to avoid trapping air under the insulation as it is applied. If contact adhesives are used (either brush or spray) apply to both surfaces (insulation and metal surface). Allow to set and apply by pressing firmly. When ambient temperatures are below 40°F, special precautions may be necessary because it takes a longer time for contact adhesives to tack up and PSAs lose their tack in colder temperatures.

10.9 *Sleeving/Layering Insulation*—To achieve insulation thicknesses greater than what are supplied by the manufacturer, sleeving or layering is common. Alternate seams and butt joints to avoid through seams.

10.10 *Use of Heat Tapes*—Note: Most flexible closed cell insulation products are not recommended for use with steam tracing. Standard electrical heat tapes can be used with these products. Oversizing the insulation (ID) is generally necessary to accommodate the heat tape, especially if the tape is spiral wrapped on the pipe.

10.4.1 *Valves*—In all cases, insulate as close to the fitting or valve as possible with straight tubing. Then insulate over or around the fitting or valve by sleeving appropriately sized insulation or flat sheet over the straight sections to create the correct build up of insulation. Seal all cutouts by adhering the insulation (with contact adhesive) to the pipe or body being insulated to prevent air (with moisture) or condensation intrusion into the system. See Figures Fig. 8 and Fig. 9.

10.5 *Large Diameter Pipe*—Large diameter pipe can be insulated with flat sheet. Refer to Fig. 10. Determine circumference of pipe (circumference = $\pi \times \text{diameter} + 1 \text{ in. (25mm)}$). Cut sheet to fit the circumference of pipe. Apply brush coat of contact adhesive to all insulation edges to be

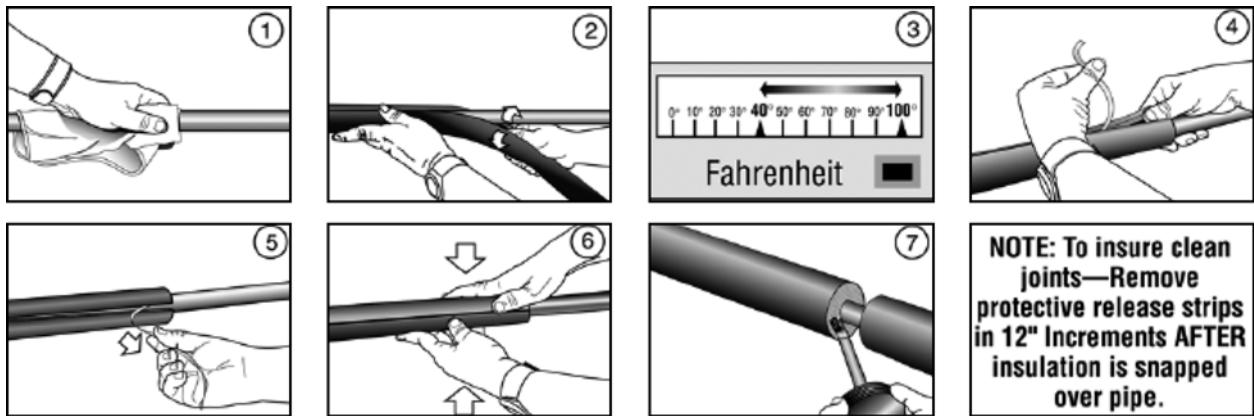


FIG. 4 Apply Pre-Slit/Pre-Glued Insulation to Straight Pipe

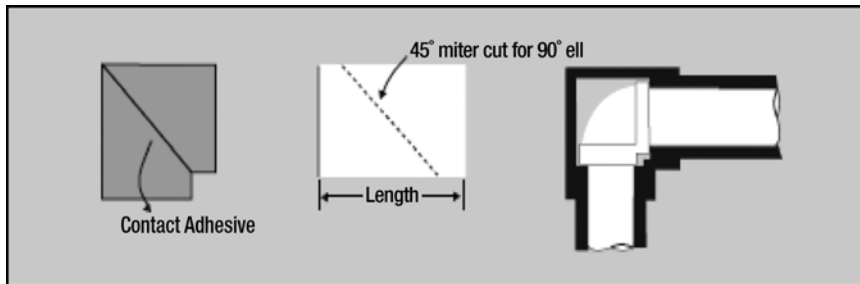


FIG. 5 Fabrication of Elbow



FIG. 6 Fabrication of Elbow

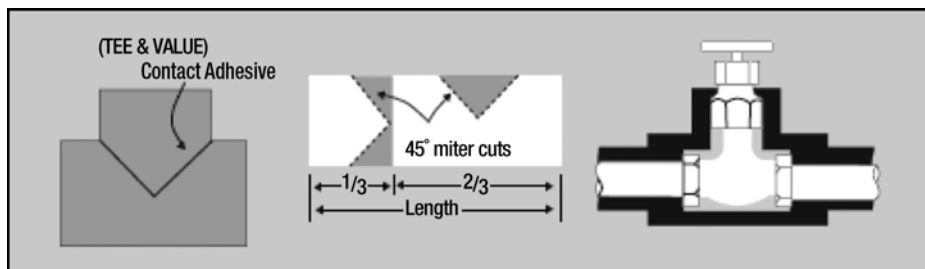


FIG. 7 Tee and Valve

11. Recommendations for Specific Environments

11.1 *Indoor high abuse*—In indoor areas where high abuse is expected, the product should be protected with a jacket or coating to prevent damage.

11.2 *Outdoor*—Most Insulation installed outdoors should be protected from weather, UV, animals (birds), and other mechanical abuse. Appropriate jacketing or coatings should be applied for the environment in which it is being used to meet

the customer's expectations. Consult with the specific insulation manufacturer regarding recommendations for required additional protective finishes or jacketing for exterior applications.

11.3 *Burial*—For direct burial applications, consult manufacture's recommendations. For optimum performance and below the water table, encasing the insulation in a conduit is recommend.

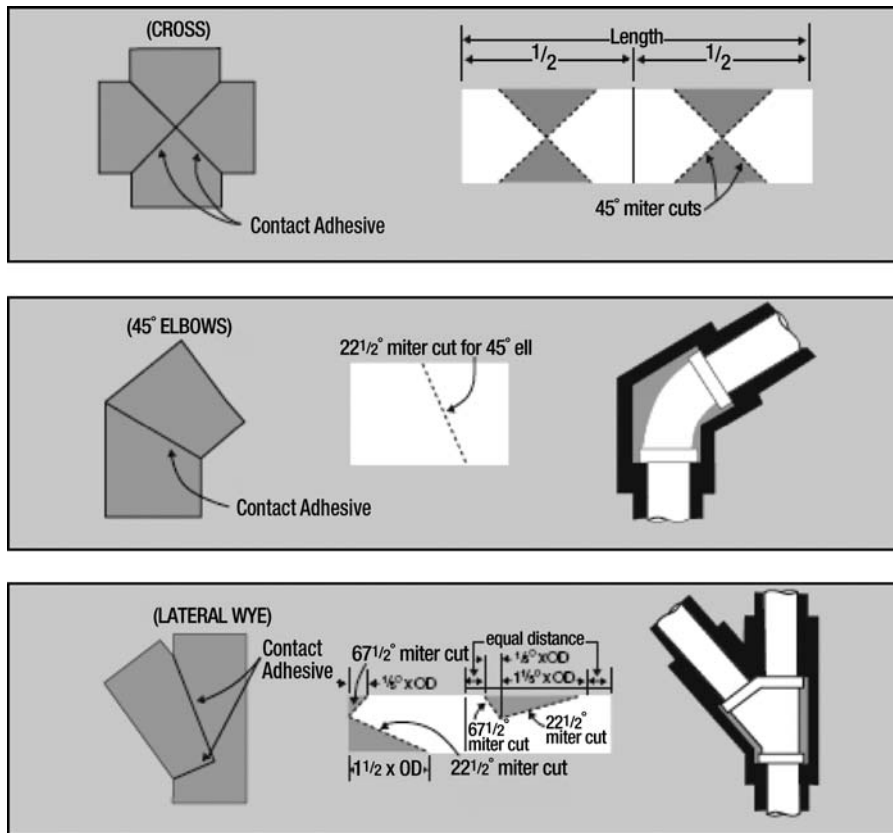


FIG. 8 Examples of Various Pipe Fittings

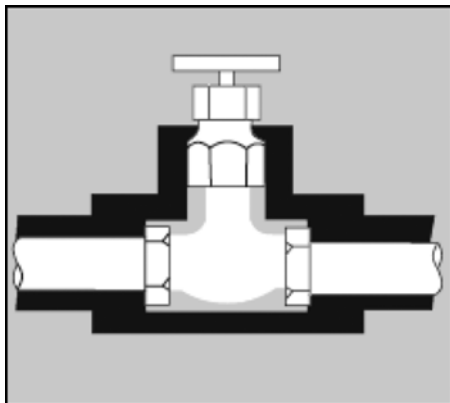


FIG. 9 Valve

12. Recommendations for Specific Applications

12.1 Hot systems; systems operating at above ambient systems Externally taped seams are acceptable for hot systems where condensation is not an issue.

12.2 Chilled Water/Refrigeration Systems—should be turned off before insulation is applied. All seams, butt joints and termination points must be adhered with approved contact

adhesive or other manufacturer’s sealing system. When a vapor retarder is required, install per manufacturer’s recommendations.

12.3 Cryogenic Special—installation methods are required for cryogenic applications such as multi layer, use of expansion joints slip layers, staggering joints and special moisture vapor barriers. Refer to manufacturer’s recommendations.

13. Finished Inspection

13.1 Inspect to ensure the correct material type, size and no observed physical damage to the material is evident. Also that there is no missing insulation.

13.2 Open Seams—The application should be inspected for open seams. All longitudinal seams, butt joints, cut outs and termination points should be sealed from air intrusion. Open seams are the number one reason for application failures with this type of material.

14. Keywords

14.1 below ambient; closed cell insulation; condensation control; elastomeric insulation; installation guide; polyolefin insulation; polyethylene insulation

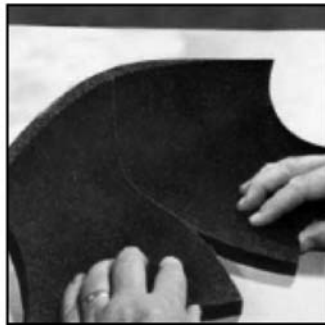
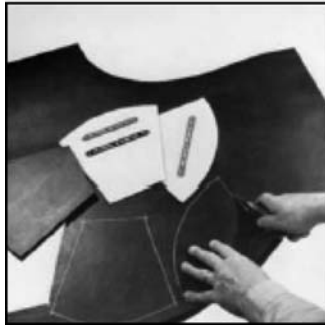


FIG. 10 Use of Sheet to Insulate Large Diameter Pipe and Fabrication of Large Diameter Elbow



FIG. 11 Brazing

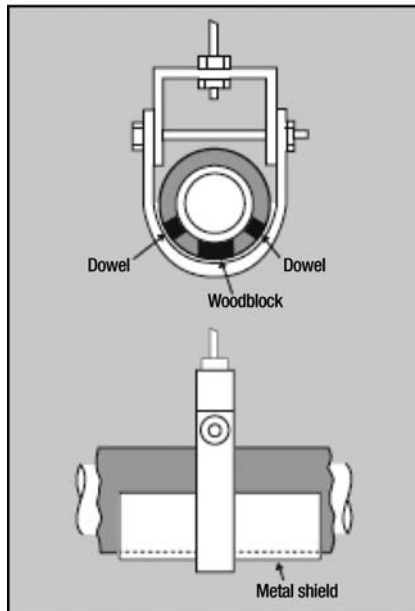
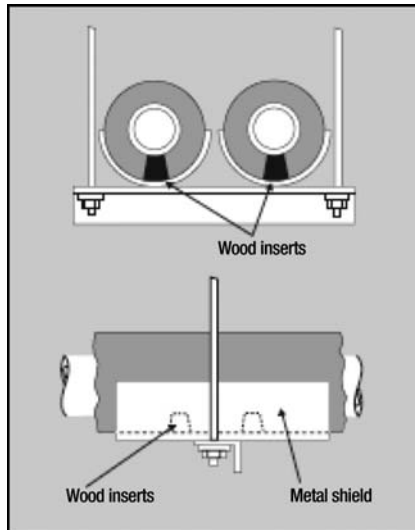


FIG. 12 Insulated Pipe Hanger/Support



FIG. 13 Duct Covering

ASTM International takes no position respecting the validity of any patent rights asserted in connection with any item mentioned in this standard. Users of this standard are expressly advised that determination of the validity of any such patent rights, and the risk of infringement of such rights, are entirely their own responsibility.

This standard is subject to revision at any time by the responsible technical committee and must be reviewed every five years and if not revised, either reapproved or withdrawn. Your comments are invited either for revision of this standard or for additional standards and should be addressed to ASTM International Headquarters. Your comments will receive careful consideration at a meeting of the responsible technical committee, which you may attend. If you feel that your comments have not received a fair hearing you should make your views known to the ASTM Committee on Standards, at the address shown below.

This standard is copyrighted by ASTM International, 100 Barr Harbor Drive, PO Box C700, West Conshohocken, PA 19428-2959, United States. Individual reprints (single or multiple copies) of this standard may be obtained by contacting ASTM at the above address or at 610-832-9585 (phone), 610-832-9555 (fax), or service@astm.org (e-mail); or through the ASTM website (www.astm.org). Permission rights to photocopy the standard may also be secured from the ASTM website (www.astm.org/COPYRIGHT/).